



ZY8702 Series LED street light

LED

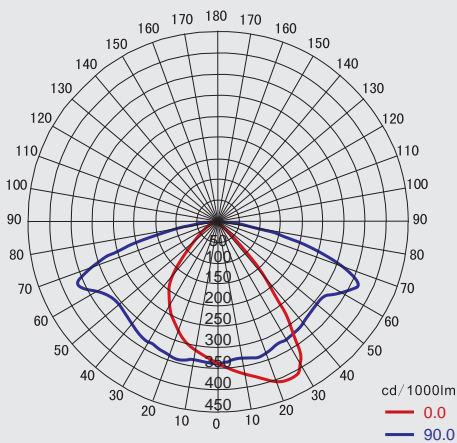
IP65

-40 °C

+50 °C



Light distribution curve



Application

This product is widely used in the factory, various city road, high ways as street light.

Characteristics

- Out of consideration of the difficulty of road lighting replacement, the company developed a unique cooling system modules, an effective solution to the problem of LED light failure caused due to high temperature to ensure high efficiency light source with 100,000 hours of life.
- The even light distribution can avoid the shadow area between the two streetlights. It is glare free. And has a pure white light.
- It adopts American CREE LED as light source, can save 60% or more on energy than the metal halide lamp.
- Equipped world top ranking brand, Taiwan Meanwell electrical appliance with power factor 0.98, make the lamp's performance more stable and efficient.
- Specially designed light lid, easy maintenance.
- The shell adopts high-tech surface spraying technology, abrasion resistance and resistance to corrosion, waterproof, dustproof, applicable to all kinds of environment.
- Mounting: suitable to pole with the diameter of 50- 60mm

Main specification

Input Voltage	90-305VAC
Frequency	50Hz / 60Hz
Ingress Protection	IP65
Anti Corrosion Grade	WF2
Insulation Grade	I
Space Height Ratio	3

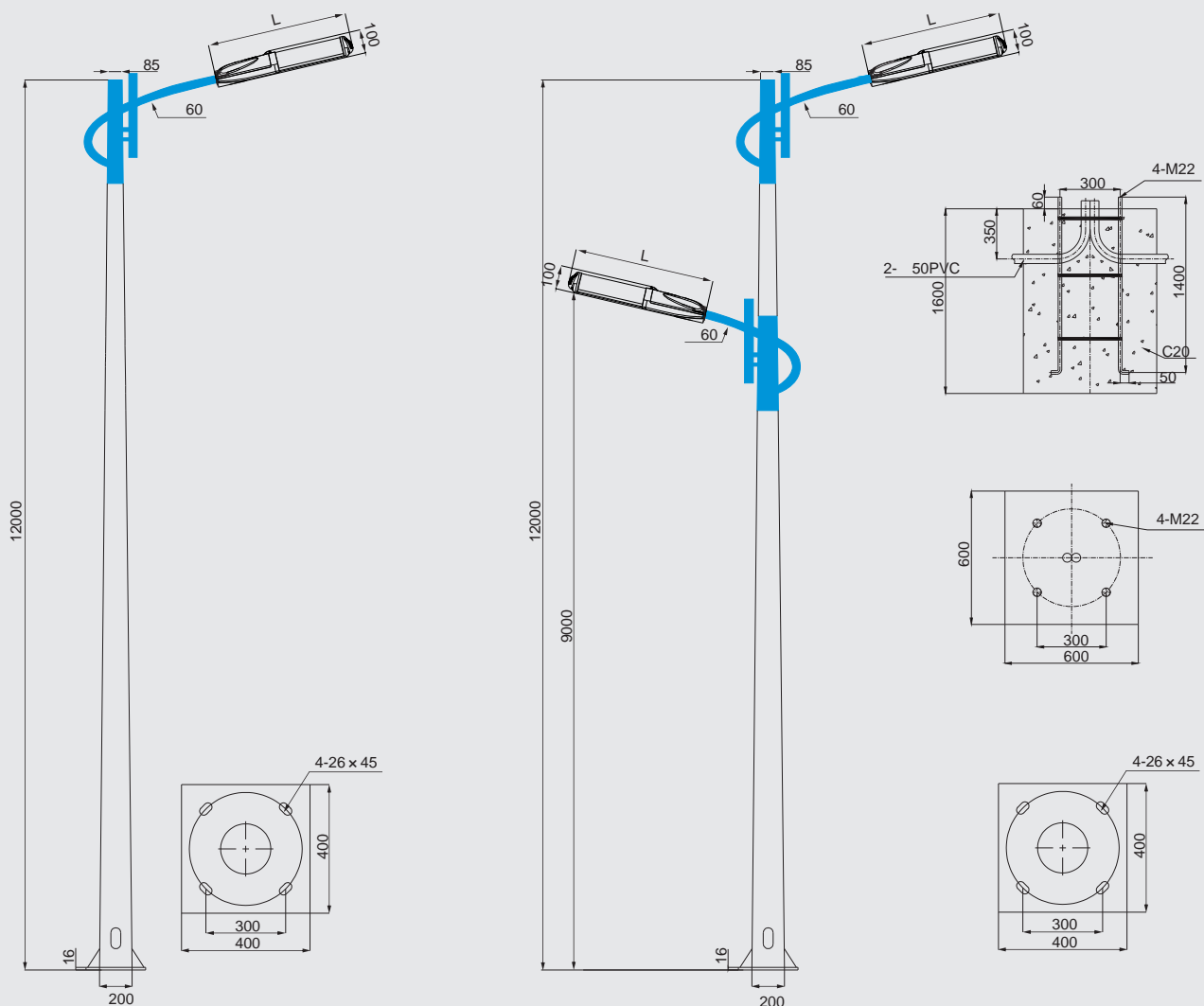
ZY8702 Series LED street light



Ordering reference

Ordering Reference	Light Source	Rated wattage (W)	Light output (lm)	Average Service Life (h)	Net Weight (Kg)	Dimension (mm)
ZY8702-L50	LED	50	> 100 lm / W	100,000	5.5	425 × 315 × 100
ZY8702-L60	LED	60		100,000	6.5	520 × 315 × 100
ZY8702-L80	LED	80		100,000	6.5	520 × 315 × 100
ZY8702-L100	LED	100		100,000	6.5	520 × 315 × 100
ZY8702-L120	LED	120		100,000	7.5	615 × 315 × 100
ZY8702-L150	LED	150		100,000	7.5	615 × 315 × 100
ZY8702-L180	LED	180		100,000	8.5	710 × 315 × 100
ZY8702-L200	LED	200		100,000	8.5	710 × 315 × 100
ZY8702-L250	LED	250		100,000	9.5	805 × 315 × 100
ZY8702-L300	LED	300		100,000	10.5	900 × 315 × 100

Drawing of dimension (Dimensions in mm)



NOTE : 50W L:425mm; 60W 80W 100W L:520mm; 120W 150W L:615mm; 180W 200W L:710mm; 250W L:805mm; 300W L:900mm



Av. Ho Chi Min nº 1960 | Maputo - Mozambique
 (+258) 82 5935791 – (+258) 82 7340017 – (+258) 84 0489712
 mpequipamentos@gmail.com | www.mpequipamentos.co.mz
 NUIT: 400385157