



ZY8600, ZY8620, ZY8630 Anti-dazzle Floodlight

IP65

-40 °C

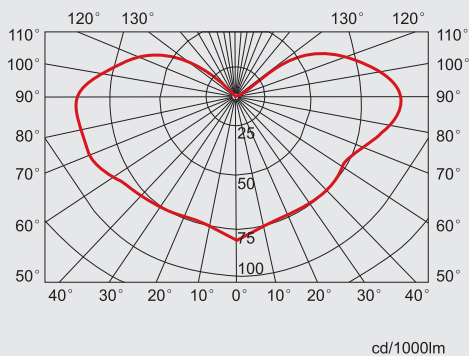
+50 °C



E27



Light distribution curve



Application

This product is designed for the power distribution room, plants, water pump centers, boiler rooms, passages, , coal storage, stadium ,stations etc.

Characteristics

- ZY8600 use famous brand light source and electrical appliance. And it is 20% brighter comparing with the other brand lamp.
- ZY8620 equipped with Compact fluorescent lamp as light source . Save 50% on energy than incandescent lamp. The unit enjoys the features of Instant-on, flicker free, high efficiency, long service life. It is energy saving and environment friendly.
- When open the upper cover, the lamp will power off automatically, making the operation safer.
- It adopts the imported advanced transparent part, ensure the lamp with gentle light, anti dazzle, and no shadow area. It can effectively avoid visual fatigue caused to operators during the operation.
- High strength housing with high quality rubber seal and power coated finish for long term use in the all kinds of humid, high temperature, corrosive, harsh environment.
- Multiple Mounting options. Customer can choose seated mounting, ceiling mounting, pendant mounting etc, according to the application.
- The guard is optional according customers' requirements.

Main specification

Input Voltage	220VAC 50Hz (110V 60Hz Optional)	
Ingress Protection	IP65	
Anti Corrosion Grade	WF2	
Insulation Grade	I	
Space Height Ratio	2.5	
Screw Thread	G3/4	
Leading-in cable diameter	8mm - 10mm	
Dimension	270 × 230 × 300mm	
Net Weight	ZY8600	6Kg
	ZY8620	3.6Kg

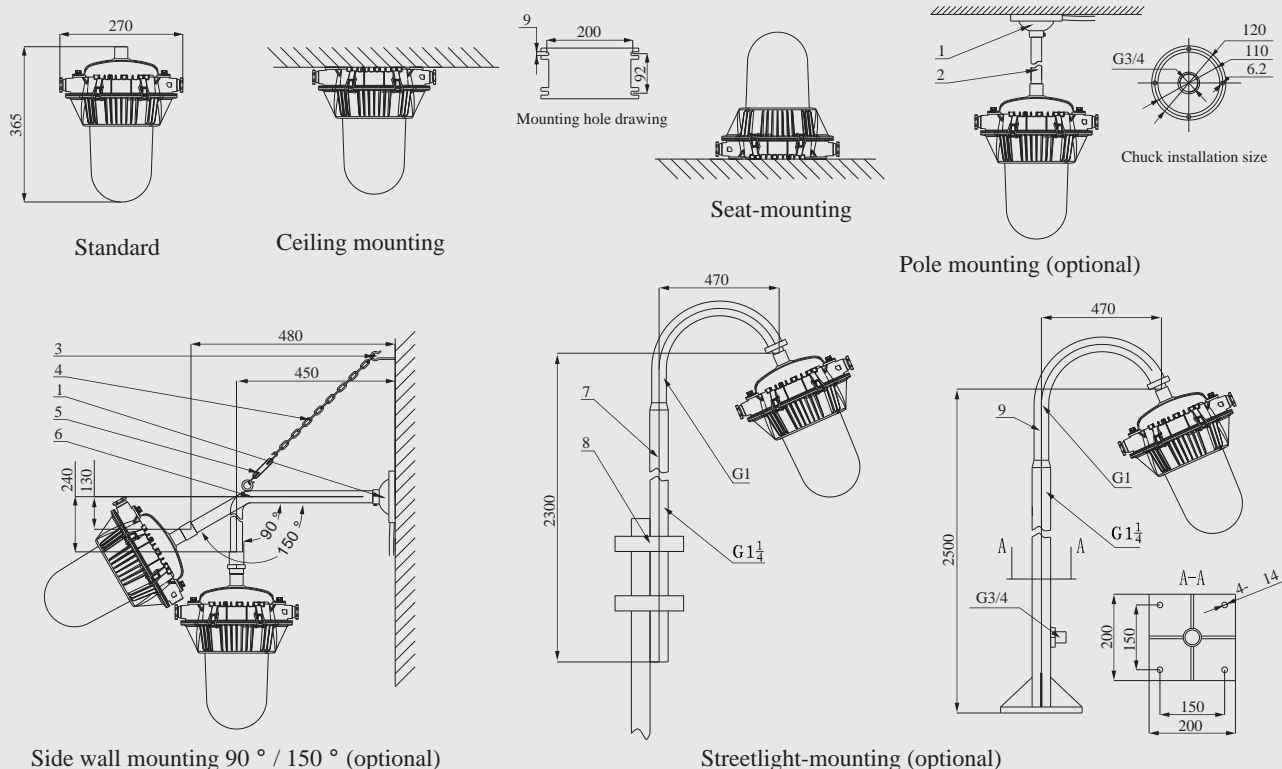
ZY8600, ZY8620, ZY8630 Anti-dazzle Floodlight



Ordering reference

Ordering Reference	Light Source	Rated Wattage (W)	Light Output (lm)	Lamp Average Life (h)
ZY8600-J70	Metal Halide Lamp	70	5,500	10,000
ZY8600-J100	Metal Halide Lamp	100	9,000	10,000
ZY8600-J150	Metal Halide Lamp	150	13,000	10,000
ZY8600-N70	High Pressure Sodium Lamp	70	6,000	28,500
ZY8600-N100	High Pressure Sodium Lamp	100	9,600	28,500
ZY8600-N150	High Pressure Sodium Lamp	150	16,000	28,500
ZY8620-Y40	Compact fluorescent lamp	40	2,860	8,500

Drawing of dimension (Dimensions in mm)



Accessories list (optional)

Number	Specification	Quantity	Remark
1	Chuck	1	
2	G3/4" pole	1	The length is optional
3	Screw hook	1	
4	Chain	1	
5	Turn buckle	1	
6	G3/4 bend pipe	1	90 degrees or 150 degrees
7	Pole	1	
8	U-bolts	2	
9	Flanged type pole	1	
10	Explosion proof connector	1	G3/4 external to external
11	Explosion proof connector	1	G3/4 Internal to external



EQUIPAMENTOS
Iluminando o seu mundo

Av. Ho Chi Min nº 1960 | Maputo - Mozambique
 (+258) 82 5935791 – (+258) 82 7340017 – (+258) 84 0489712
 mpequipamentos@gmail.com | www.mpequipamentos.co.mz
 NUIT: 400385157