



ZY8200 Series Glare Free Floodlight

IP65

-40 °C

+50 °C



E40



Application

This product is ideal to use as floodlighting in pathway, electric power, gas station, rail way, large plant, workshop, and any other public places.

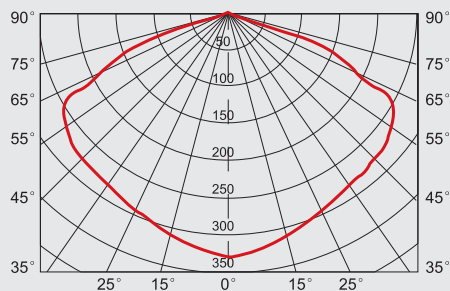
Characteristics

- Adopts famous international brand light source with stable performance , gives 20% more light over the other manufacturers.
- Long service life comes to 12,000 hours and low maintenance.
- The special device on the bottom of the lamp can allow the air get inside so that to balance the internal and external pressure differential and eliminate the water vapor condensation inside the lamp.
- The reflector with diffuse reflection function can make the light beam more gentle and, glare free.
- Mounting bracket can be adjusted to the desired angle.
- The lock screws on the lamp makes it more easy for the operator to open the cover.
- The mounting rack is optional according to customers' requirements.

Main specification

Input Voltage	220VAC 50Hz (110V 60Hz Optional)
Ingress Protection	IP65
Anti Corrosion Grade	WF2
Insulation Grade	I
Space Height Ratio	2.2
Leading-in cable diameter	8mm - 10mm
Dimension	520 × 400 × 175mm
Net Weight	14Kg

Light distribution curve



cd/1000lm

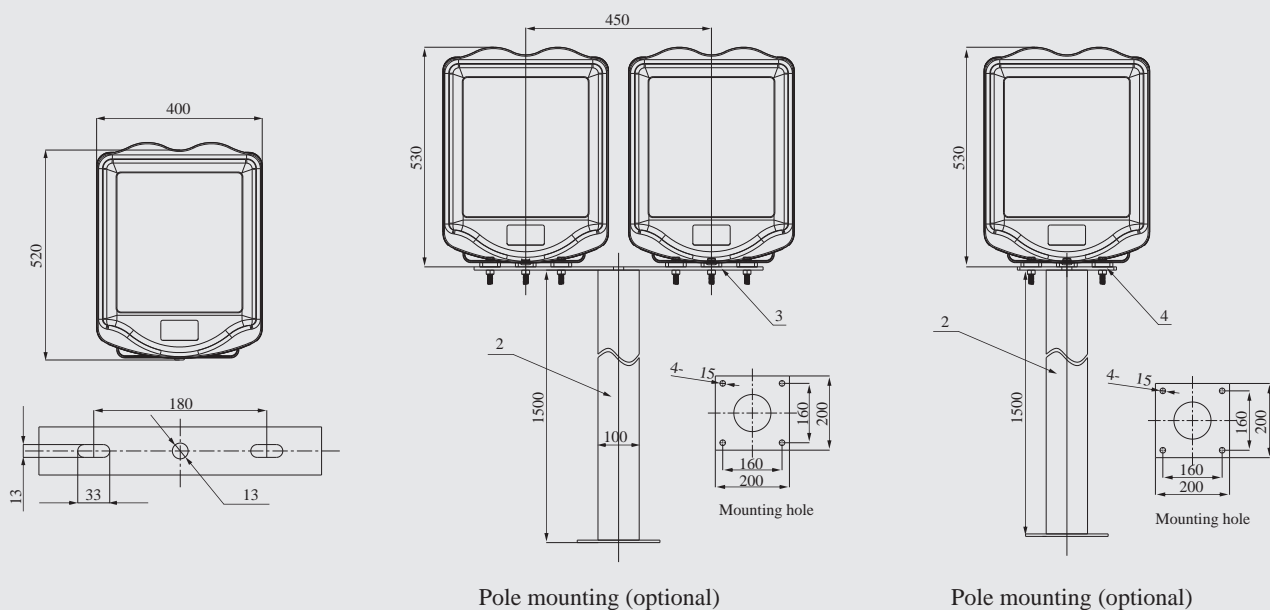
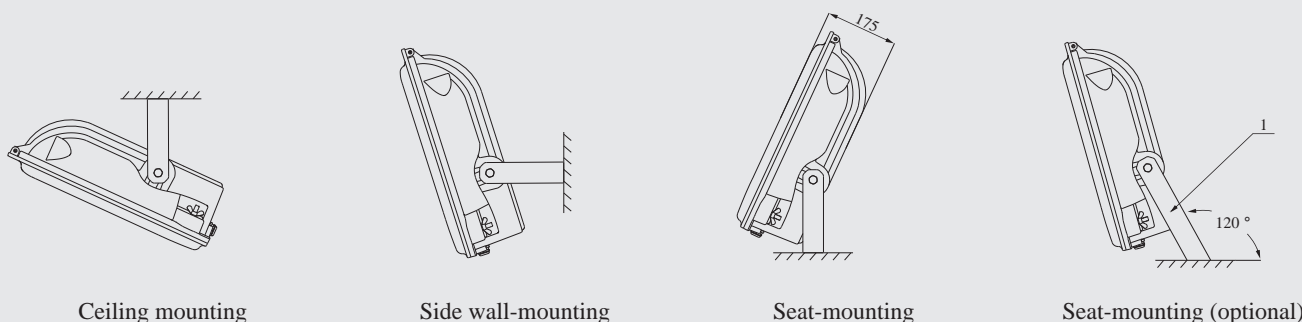
ZY8200 Series Glare Free Floodlight



Ordering reference

Ordering Reference	Light Source	Rated Wattage (W)	Light Output (lm)	Lamp Average Life (h)
ZY8200-J250	Metal Halide Lamp	250	25,000	12,000
ZY8200-J400	Metal Halide Lamp	400	36,000	12,000
ZY8200-N250	High Pressure Sodium Lamp	250	27,500	30,000
ZY8200-N400	High Pressure Sodium Lamp	400	50,000	30,000

Drawing of dimension (Dimensions in mm)



Accessories list (optional)

Number	Specification	Quantity	Remark
1	120 ° bracket	1	
2	Mounting bracket	1	The length is optional
3	Double slotted rod	1	
4	Single slotted rod	1	



Av. Ho Chi Min nº 1960 | Maputo - Mozambique
 (+258) 82 5935791 – (+258) 82 7340017 – (+258) 84 0489712
 mpequipamentos@gmail.com | www.mpequipamentos.co.mz
 NUIT: 400385157